



ISU Series - U Interface Transformers

Features

- compatibility with common transceiver IC's ensures maximum loop length
- complies with ANSI standard T1.601 when used with recommended chip
- 2000 Vrms minimum isolation
- industry standard footprints are available in four DIL and SMD package options
- excellent quality at competitive price due to high volume production
- manufactured in ISO-9001 approved Talema facility
- operating temperature: -40° to +85°C



ISDN IC - U Interface Transformer Cross Reference Guide

IC Manufacturer	IC Part Number	Turns Ratio (Line:Chip)	Coding	Talema Part Number			
				RM6 - TH	RM6 - SMD	RM8 - TH	PT23/11
Legerity (AMD)	AM20902	1.32:1	4B3T	ISU-100A	ISU-100B & ISU-100G	ISU-100C	--
	AM2091	1.60:1	2B1Q	ISU-110A	ISU-110B & ISU-110G	ISU-110C	--
Lucent	T7262	2.50:1	2B1Q	--	--	ISU-120C	--
Alcatel	MTC2071	1.32:1	4B3T	ISU-100A	ISU-100B & ISU-110G	ISU-100C	--
	MTC20276	2.00:1	2B1Q	ISU-170A	ISU-170B & ISU-170G	ISU-170C	--
Motorola	MC145472	2.00:1	2B1Q	--	--	1SU-130C	ISU-130D
	MC145572	1.25:1	2B1Q	--	--	ISU-140C	ISU-140E
National	TP3410	1.50:1	2B1Q	--	--	ISU-150C	ISU-150D
Infineon	PEB2091	1.60:1	2B1Q	ISU-110A	ISU-110B & ISU-110G	ISU-110C	--
	PEB8090	1.32:1	4B3T	ISU-100H	--	--	--
	PEB8091/8191	1.60:1	2B1Q	ISU-110A	ISU-110B & ISU-110 G --	ISU-110C	--
	PEB80912	2:00:1	2B1Q	ISU-170X	--	--	--
	PEB24902/24911	1.60:1	2B1Q	ISU-110A	ISU-110B & ISU-110G	ISU-110C	--
	PEB21910/21911	1.60:1	2B1Q	ISU-110A	ISU-110B & ISU-110G	ISU-110C	--
Thomson	PEB2090/20901	1.32:1	4B3T	ISU-100A	ISU-100B & ISU-100G	ISU-100C	--
	ST5411	1.50:1	2B1Q	--	--	ISU-160C	U-160D

Electrical Specifications @ 25°C

Turns Ratio: **Bold** = IC side windings

ISU Series - U Interface Transformers

Part Number	Turns Ratio	L _P (mH)	I _{DC} (mA)	R _{CU} P (Ohms)	R _{CU} S (Ohms)	V _P (Vrms)	Package	Schematic
ISU-100A	1.32:1	7.1 - 8.7	60	5.4	4.1	2000	RM6 - THT	1
ISU-100B	1.32:1	7.1 - 8.7	60	5.4	4.1	2000	RM6-SMD-"B"	1
ISU-100C	1.32:1	7.1 - 8.7	60	2.3	1.8	2000	RM8 - THT	2
ISU-100G	1.32:1	7.1 - 8.7	60	5.4	4.1	2000	RM6-SMD-"G"	2
ISU-110A	1.65:1	13.0 - 16.0	60	5.8	5.9	2000	RM6 - THT	1
ISU-110B	1.65:1	13.0 - 16.0	60	5.8	5.9	2000	RM6-SMD-"B"	1
ISU-110C	1.65:1	13.0 - 16.0	60	3.8	2.5	2000	RM8 - THT	2
ISU-110G	1.65:1	13.0 - 16.0	60	5.8	5.9	2000	RM6-SMD-"G"	1
ISU-120C	2.50:1	14.5 - 18.0	60	5.0	2.2	2000	RM8 - THT	2
ISU-130D	2.00:1	25.5 - 28.5	60	11.6	6.4	2000	PT23 - THT	4
ISU-130C	2.00:1	25.5 - 28.5	60	7.9	3.3	2000	RM8 - THT	3
ISU-140E	1.25:1	26.5 - 29.7	80	12.0	7.0	2000	PT23 - THT	4
ISU-140C	1.25:1	26.5 - 29.7	80	7.0	5.5	2000	RM8 - THT	3
ISU-140G	1.25:1	26.5 - 29.7	60	11.2	9.1	2000	RM6-SMD-"G"	1
ISU-150D	1.50:1	25.5 - 28.5	60	20.0	3.0	2000	PT23 - THT	5
ISU-150C	1.50:1	25.5 - 28.5	60	10.5	7.0	2000	RM8 - THT	3
ISU-150G	1.50:1	25.5 - 28.5	60	11.5	7.6	2000	RM6-SMD-"G"	1
ISU-160D	1.50:1	14.2 - 16.0	60	16.0	2.5	2000	PT23 - THT	5
ISU-160C	1.50:1	14.2 - 16.0	60	5.0	3.4	2000	RM8 - THT	2
ISU-170A	2.00:1	13.0 - 16.0	60	5.8	5.9	2000	RM6 - THT	3
ISU-170C	2.00:1	13.0 - 16.0	60	3.8	2.5	2000	RM8 - THT	2
ISU-170G	2.00:1	13.0 - 16.0	60	5.8	5.9	2000	RM6-SMD-"G"	3
ISU-180G	1.6:1	5.5 - 6.5	60	4.0	2.5	2000	RM6-SMD-"G"	1

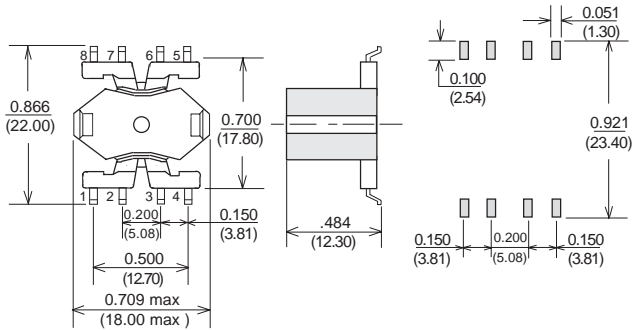
THE TALEMA GROUP • Magnetic Components for ISDN / xDSL / LAN Data Communications

Packaging Style • ISDN U Interface Transformers

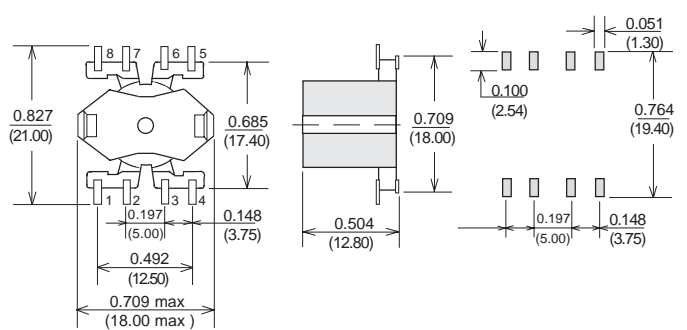
Package Style

RM6

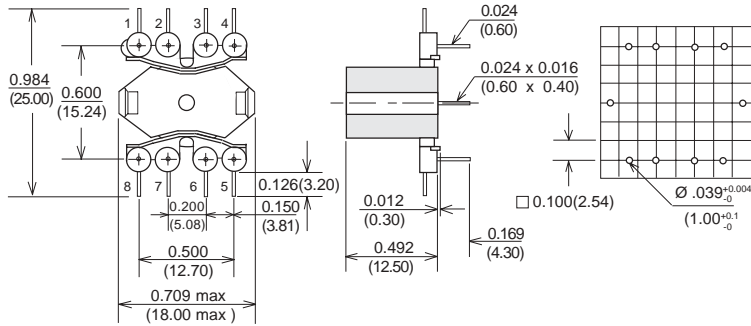
SMD - "B"



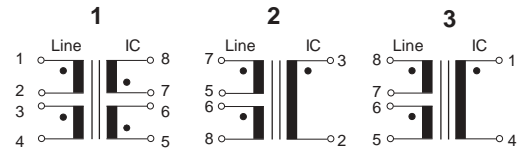
SMD - "G"



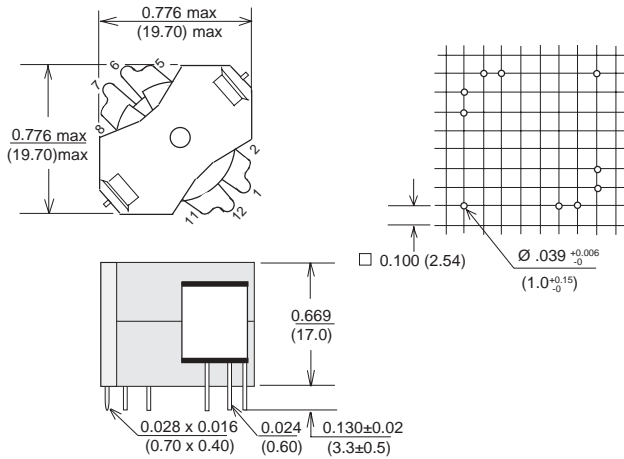
THT



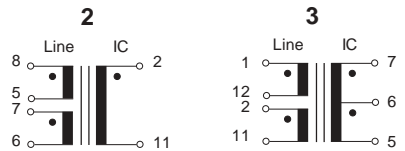
RM6 - SMD & THT Schematic



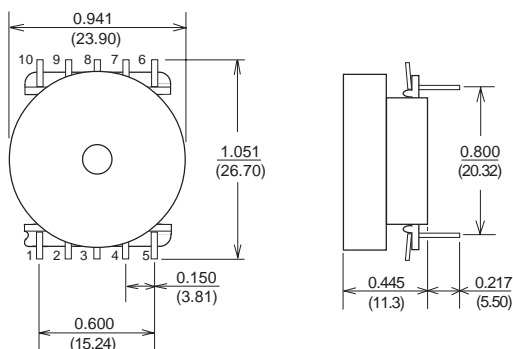
RM8 - THT



RM8 - THT Schematics



PT23 - THT



PT23 - THT Schematics

