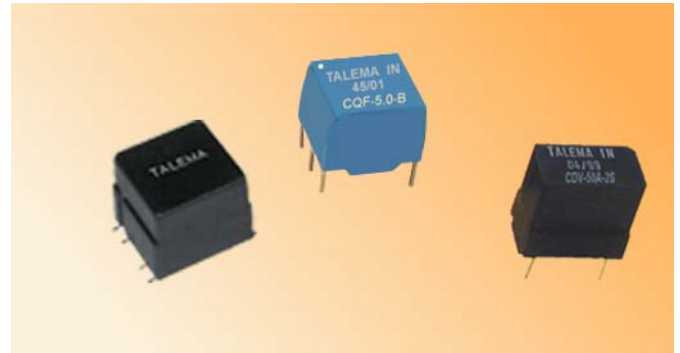




CD & CQ Series CM Interface Chokes for Data and Signal Lines

Features

- High attenuation over a wide frequency range
- Low interwinding and coupling capacitance
- Wide inductance range
- Excellent quality at extremely competitive price due to high volume production
- Manufactured in an ISO-9001:2000, TS-16949:2002 and ISO-14001:2004 certified Talema facility
- Other inductance values available upon request
- Fully RoHS compliant and meets lead free reflow level J-STD-020C



Electrical Specifications @ 25°C

Nominal Voltage: 42Vac (50/60Hz), 80Vdc

Operating Temperature: -25° to +85°C

Storage Temperature: -40° to +125°C

Climatic category: according to IEC68-1 25/85/56

Test voltage between windings: 500 Vrms

Test frequency

Nominal Inductance: measured @ 100kHz/20 mVrms

Leakage Inductance: measured @ 100kHz, 100mVrms

Test Equipment: HP4192A

Part Number	L_N (μ H) $\pm 30\%$	I_N (mA)	L_L (μ H)	R_{CU} (mOhms)	V_P (Vrms)	Windings per Core	Package	Schematic
CD Series - Double Chokes for EMI noise suppression								
CD__-1.0-A	1000	600	0.25	190	500	2	F / V / J	A
CD__-1.7-A	1700	550	0.42	200	500	2	F / V / J	A
CD__-2.2-A	2200	350	0.45	300	500	2	F / V / J	A
CD__-3.3-A	3300	350	0.50	370	500	2	F / V / J	A
CD__-4.7-A	4700	350	0.40	600	500	2	F / V / J	A
CD__-6.8-A	6800	350	0.55	510	500	2	F / V / J	A
CD__-10-A	10000	350	0.65	620	500	2	F / V / J	A
CD__-12-A	12000	300	0.70	680	500	2	F / V / J	A
CD__-15-A	15000	300	0.55	720	500	2	F / V / J	A
CD__-22-A	22000	300	0.85	920	500	2	F / V / J	A
CD__-28-A	28000	300	0.95	1020	500	2	F / V / J	A
CD__-33-A	33000	300	1.90	1120	500	2	F / V / J	A
CD__-50-A	50000	300	1.35	1800	500	2	F / V / J	A
CD__-70-A	70000	300	2.50	2100	500	2	F / V / J	A
CQ Series - Quad Chokes for EMI noise suppression								
CQ__-1.0-B	1000	400	0.30	200	500	4	F / V / J	B
CQ__-1.7-B	1700	350	0.40	260	500	4	F / V / J	B
CQ__-2.2-B	2200	300	0.45	310	500	4	F / V / J	B
CQ__-3.3-B	3300	300	0.50	380	500	4	F / V / J	B
CQ__-5.0-B	5000	300	0.30	430	500	4	F / V / J	B
CQ__-6.8-B	6800	300	0.55	850	500	4	F / V / J	B
CQ__-10-B	10000	300	0.65	1060	500	4	F / V / J	B
CQ__-12-B	12000	250	0.65	1120	500	4	F / V / J	B
CQ__-58-B	58000	200	1.40	2400	500	4	F / V / J	B
CQ__-90-B	90000	150	2.00	4150	500	4	F / V / J	B

When ordering Series CD or CQ, use suffix "F", "V" or "J" to designate desired package style.

CDF/CQF = Flat package, through-hole

CDV/CQV = Vertical package, through hole

CDJ/CQJ = Flat package, surface mount

See following page for dimensions , schematics and typical impedance curves

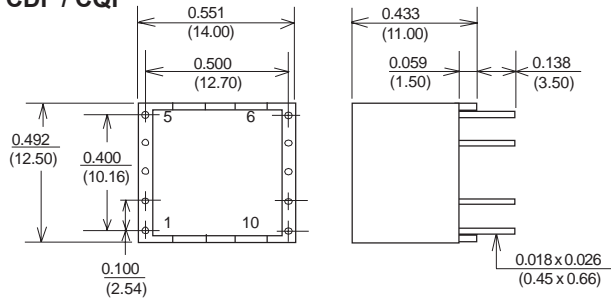
Packaging Style and Impedance Performance

Dimensions: Inches (Millimeters)

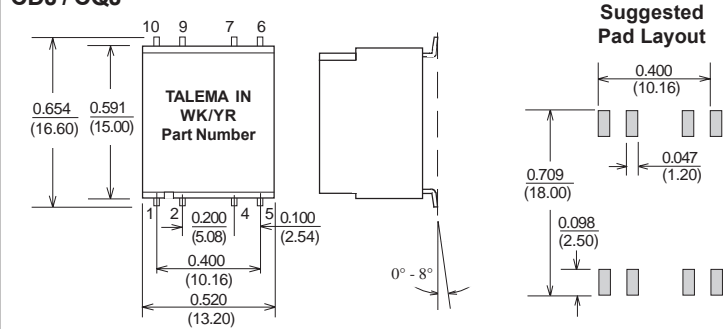
Tolerance: ± 0.010 (0.25) unless specified otherwise

Package Style

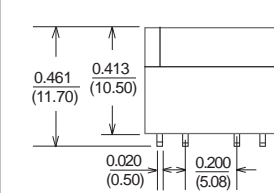
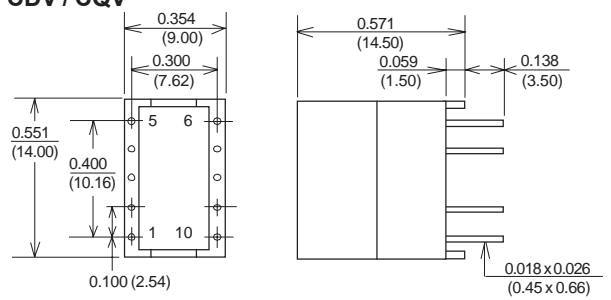
CDF / CQF



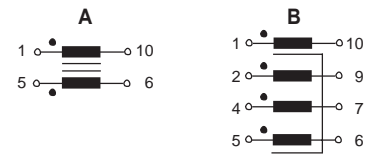
CDJ / CQJ



CDV / CQV



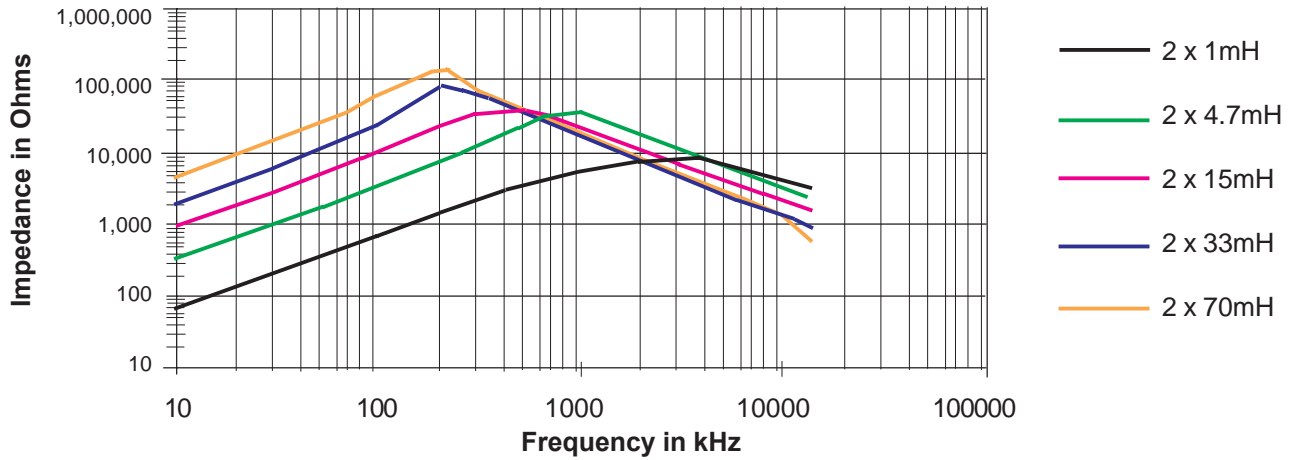
Schematics



Surface Coplanarity will be 0.004(0.10) maximum

Note: Parts will be supplied with only the pins shown on schematics A (types CDF, CDV & CDJ) and B (types CQF, CQV & CQJ)

Impedance Performance CDx & CDx Series Double Chokes



CQx & CDx Series Quad Chokes

